

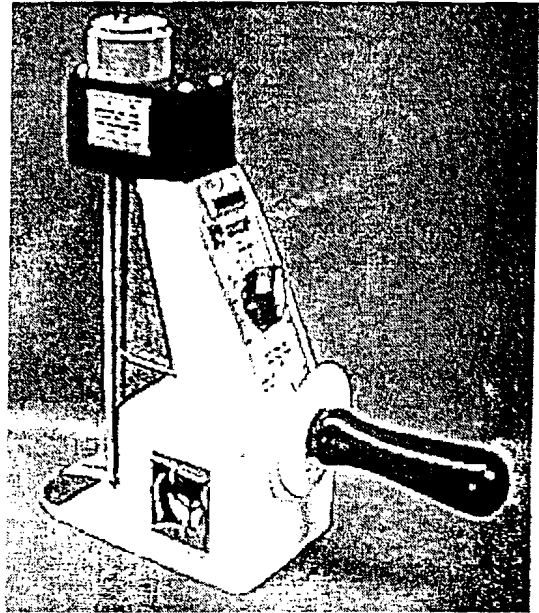


# WOLF

*WOLF CUTTERS SET THE PACE SINCE 1888*

## UNIVERSAL HOT NOTCHER

8" & 12"  
MODELS



From the library of: Diamond Needle Corp

## PARTS & SERVICE MANUAL

---

### ***WOLF MACHINE CO.***

5570 CREEK ROAD, CINCINNATI, OHIO 45242, USA

TOLL FREE: 1-800-543-9653 TEL.: 1-513-791-5194

FAX: 1-513-791-0925 E-MAIL: <http://www.wolfmachine.com>

## WARNING

EXERCISE DUE CARE IN HANDLING THIS TOOL TO PREVENT PERSONAL INJURY. WHEN HOT NOTCHER IS "ON", HEATER BLADE CAN CAUSE A SEVERE BURN.

**BEFORE OPERATING THIS TOOL, READ ALL INSTRUCTIONS CAREFULLY**

### **OPERATING PRECAUTIONS:**

1. DO NOT LEAVE THE HOT NOTCHER IN THE "ON" POSITION UNATTENDED.
2. ON "HIGH" SETTINGS, THE OUTSIDE OF THE HOT NOTCHER CASING CAN BECOME VERY HOT TO THE TOUCH. USE ONLY THE HANDLE TO MOVE THE TOOL.
3. IT CAN TAKE AS LONG AS 1 HOUR FOR THE OUTSIDE OF THE HOT NOTCHER TO COOL DOWN FROM PROLONGED USE ON THE HIGH SETTINGS EVEN THOUGH THE HEATER ELEMENT WILL COOL IN APPROX. 15 MINUTES.

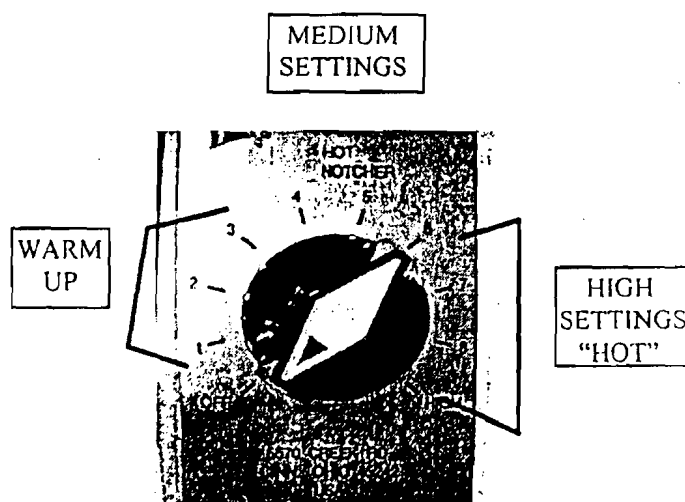
### **SAFETY :**

WHILE THE HOT NOTCHER IS OPERATING, NEVER LEAVE UNATTENDED OR TOUCH THE HEATER BLADE WITH ANY PART OF YOUR PERSON. WHILE "ON", THE HEATER ELEMENT CAN CAUSE A SEVERE BURN. FOR NORMAL OPERATING NEVER REMOVE THE DEPTH NOTCH STOPS. FOR PROPER OPERATION OF THIS TOOL, THE BASE SHOULD BE ON A HORIZONTAL, FLAT, STABLE, SURFACE. WHEN ATTEMPTING MAINTENANCE, REPAIRS, OR ADJUSTMENTS ALWAYS DISCONNECT ELECTRIC CONNECTOR AND ALLOW SUFFICIENT COOLING TIME ( APPROXIMATELY 15 MINUTES ).

### **TO OPERATE :**

ATTACH THE LINE PLUG TO THE TOOL. ROTATE THE INDICATOR DIAL TO THE DESIRED SETTING FOR THE MATERIAL YOU ARE USING. THE RED INDICATOR LIGHT ABOVE THE DIAL PLATE SHOWS THE OPERATING CONDITION OF THE TOOL. WHEN USING THE HOT NOTCHER AFTER SOMEONE ELSE OR FOR THE FIRST TIME, CHECK THE RED INDICATOR LIGHT. IF IT IS "ON" BE CAREFUL OF THE HEATER ELEMENT. THERE IS A GOOD CHANCE IT IS HOT ENOUGH TO CAUSE A PERSONAL BURN.

*NOTE : WHEN FIRST USING THE HOT NOTCHER SOME EXPERIMENTING MAY NEED TO BE DONE TO FIND OUT THE SETTING THAT IS IDEAL FOR YOUR MATERIAL.*



### TO ADJUST DEPTH OF NOTCH:

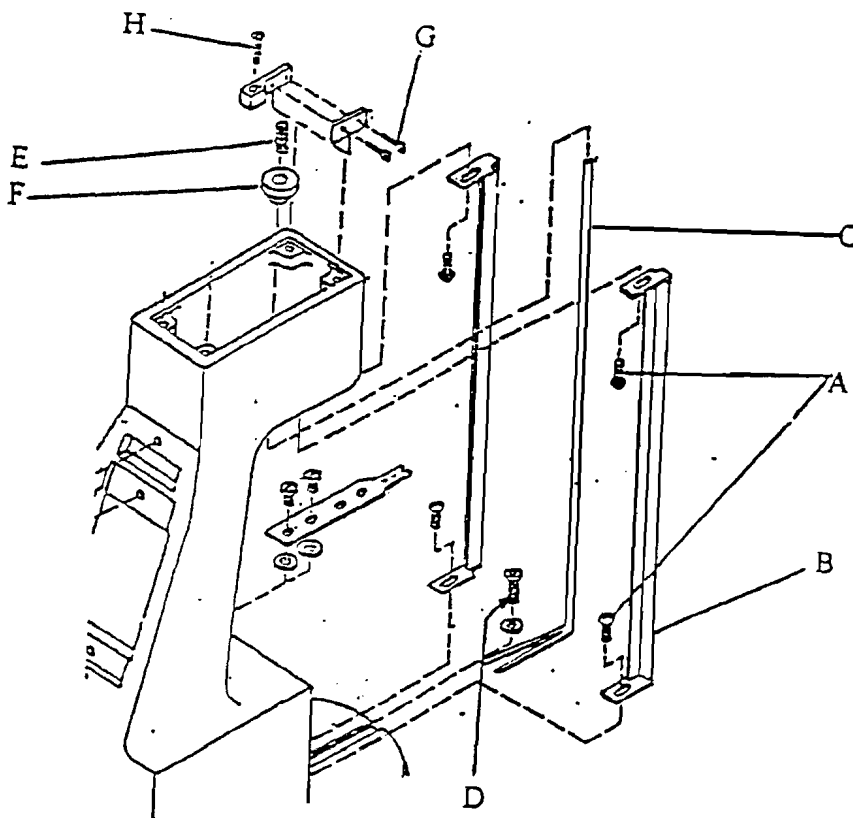
MAKE SURE THAT THE HEATER ELEMENT HAS COOLED FOR APPROX. 15 MINUTES, AND THAT THE TOOL IS DISCONNECTED FROM THE ELECTRICAL CONNECTOR. LOOSEN THE LOCKING SCREWS (A) ON THE FOOT & UPPER ARM OF THE DEPTH GUARDS (B). MOVE THE DEPTH GUARDS (B) TO THE DESIRED POSITION EVENLY. TIGHTEN THE SCREWS (A) FIRMLY.

### TO REMOVE THE HEATER ELEMENT (C):

MAKE SURE THAT THE HEATER ELEMENT HAS COOLED FOR APPROXIMATELY 15 MINUTES, AND THAT THE TOOL IS DISCONNECTED FROM THE ELECTRICAL CONNECTOR.

1. REMOVE THE UPPER ELECTRICAL CONNECTOR FROM IT'S MOUNTING PLATE.
2. LOOSEN THE SCREWS (D) & (H) HOLDING THE FOOT & POWER LEAD OF THE HEATER ELEMENT TO THE BOTTOM PLATTE & TOP POWER LEAD.
3. REMOVE THE BLADE CLAMP SCREWS (G) AND MOVE THE HEATER ELEMENT UP THROUGH THE MAIN CASTING.
4. REMOVE SPRING (E) & BUSHING (F) FROM THE TOP OF THE HEATER ELEMENT.
5. INSTALL THE NEW HEATER ELEMENT AND REVERSE THE ABOVE PROCEDURE.

**NOTE: THE BLADE CLAMP MUST BE INSTALLED SO THAT IT RESTS NO MORE THAN 1/16" ABOVE BUSHING 1706740 TO ALLOW FOR THE EXPANSION AS THE ELEMENT HEATS.**



### ORDERING PARTS FROM DISTRIBUTOR:

PLEASE HAVE THE INFORMATION ON THE HOT NOTCHER IDENTIFICATION TAG AVAILABLE WHEN CALLING YOUR WOLF TOOL DISTRIBUTOR. THE VOLTAGE, COLOR & SIZE (8" OR 12") WILL BE NEEDED FOR PART ORDERING.



# HOT NOTCHER PARTS LISTING

REF. NO.	PART NO.	DESCRIPTION	QTY.
1	1706600	HOT NOTCHER HOUSING – 8”	1
	1707030	HOT NOTCHER HOUSING – 12”	1
2	1386060	HANDLE	1
3	1706700	TRANSFORMER – 110 VOLT FOR 8” MODEL	1
	1706710	TRANSFORMER – 220 VOLT FOR 8” MODEL	1
	1706700	TRANSFORMER – 110 VOLT FOR 12” MODEL	1
	1706710	TRANSFORMER – 220 VOLT FOR 12” MODEL	1
4	9900163	TRANSFORMER MOUNTING SCREWS	2
5	9901955	STAR WASHERS	3
6	1707300	SWITCH – 110 VOLT	1
	1707300	SWITCH – 220 VOLT	1
7	9900095	SWITCH MOUNTING SCREWS	2
8	1706830	DIAL PLATE	1
9	9900125	DIAL PLATE MOUNTING SCREWS	6
10	1706860	INDICATOR LIGHT – 110 VOLT	1
	1706890	INDICATOR LIGHT – 220 VOLT	1
11	1707170	DIAL KNOB/SET SCREW	1
12	1706790	DEPTH GUARD – 8”	2
	1707060	DEPTH GUARD – 12”	2
41	9900119	DEPTH GUARD SCREWS	4
13	1706780	HEATER ELEMENT – 8”	1
	1707050	HEATER ELEMENT – 12”	1
14	9901984	WASHER	1
15	9901277	HEATER ELEMENT FOOT MOUNTING SCREWS	3
16	1706750	STAND OFF	1
17	1705500	STAND OFF TEFLON MOUNTING SCREWS 10-32	2
18	4548693	NYLON WASHER	2
19	1706740	TEFLON BUSHING	1
20	1706820	SPRING	1
21	1706810	HEATER ELEMENT CLAMP – MOUNTING HALF	1
22	1706800	HEATER ELEMENT CLAMP – CLAMPING HALF	1
23	4727700	FINGER GUARD	1
N/S	9901149	CLAMP MOUNTING SCREW	1
24	1707080	COVER PLATE – DOMESTIC	1
25	9900121	COVER PLATE MOUNTING SCREWS	4
26	1105100	MALE PLUG – 110 VOLT DOMESTIC	1
	1105200	MALE PLUG – 220 VOLT DOMESTIC	1
27	9900098	PLUG MOUNTING SCREWS	3
28	1105100	FEMALE PLUG – 110 VOLT DOMESTIC	1
	1105200	FEMALE PLUG – 220 VOLT DOMESTIC	1

N/S	9900161	GROUNDING WIRE MOUNTING SCREWS	2
N/S	9901955	GROUNDING WIRE MOUNTING WASHER	3
	1706707	SPACER	2
	1706706	TRANSFORMER BRACKET	2
	1706705	SCREWS FOR TRANSFORMER BRACKET	4

### EUROPEAN ELECTRICAL CONNECTOR PARTS LISTING

29	1707190	COVER PLATE	1
30	9900121	COVER PLATE MOUNTING SCREWS	4
31	1046200	STAIN RELIEF	1
32	1117293	LINE WIRE (SPECIFY LENGTH IN FT WHEN ORDERING)	

### FOREIGN MALE PLUG PARTS LIST

33	1707110	CONNECTOR PLATE	1
34	1707120	CONNECTOR BOX	1
35	9900117	CONNECTOR MOUNTING SCREWS	4
36	1044460	CONNECTOR BLOCK	1
37	1043200	CONNECTOR PINS	2
38	9900963	BRASS SCREWS	2
39	1101950	FEMALE PLUG – 1 PHASE 110V –220V	1
40	9901596	CONNECTOR BOX CREWS	3